

Masport[®] Heating

FREESTANDING WOOD FIRES

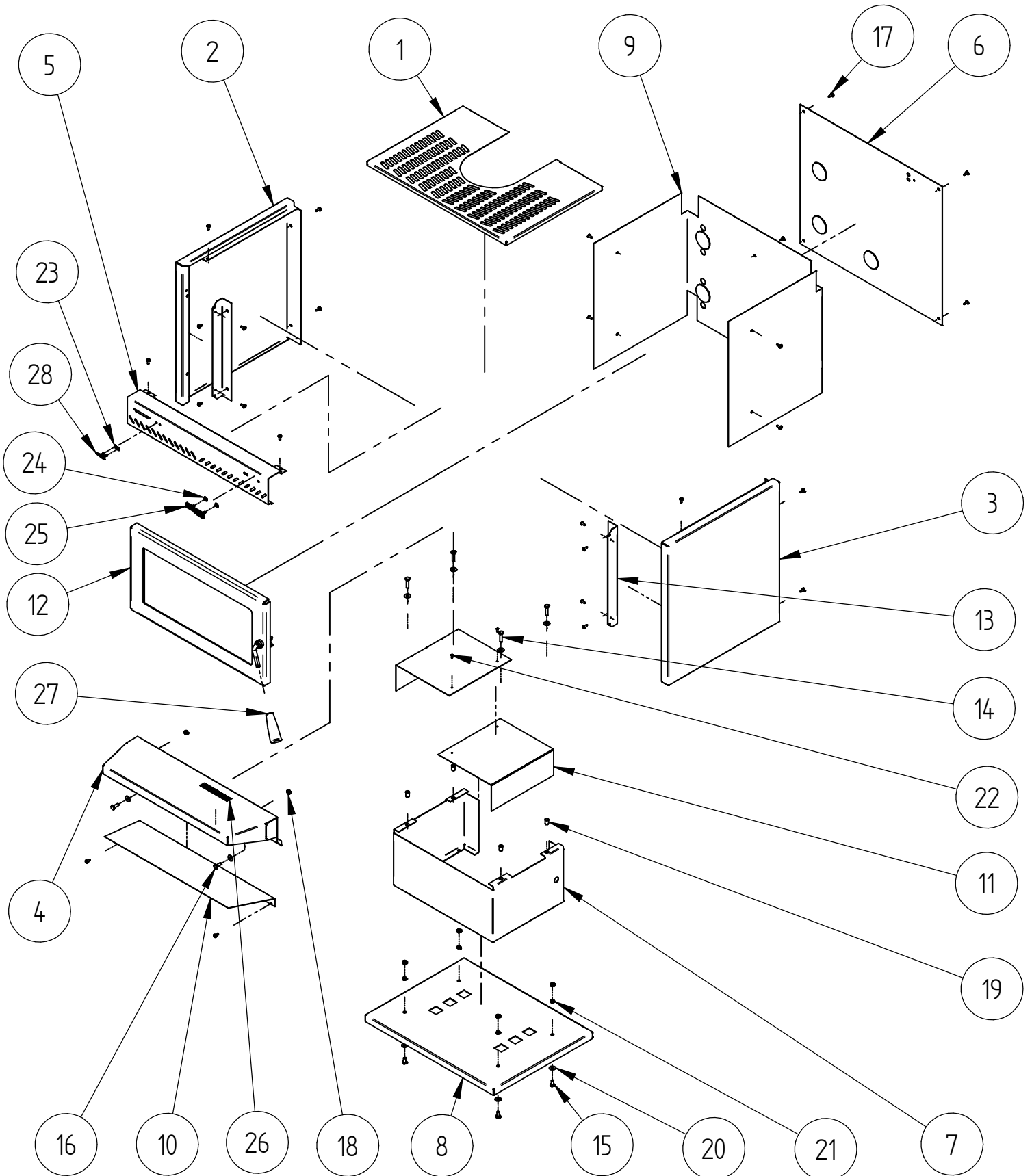
MICROS CLEAN AIR - AUSTRALIA

| Item No. | MARKET | FUEL TYPE | FINISH | YEAR | FAN |
|----------|--------|-----------|----------------------|----------|-----|
| MWSHW | AU | HARDWOOD | Matt Black VHT Paint | DEC-2007 | No |
| MAEHWBK | | | Matt Black Enamel | | |
| 992902 | | | Matt Black VHT Paint | AUG-2009 | |
| 992903 | | | Matt Black Enamel | | |

*LOGAIRE BRAND



PANELS, DOOR AND PEDESTAL

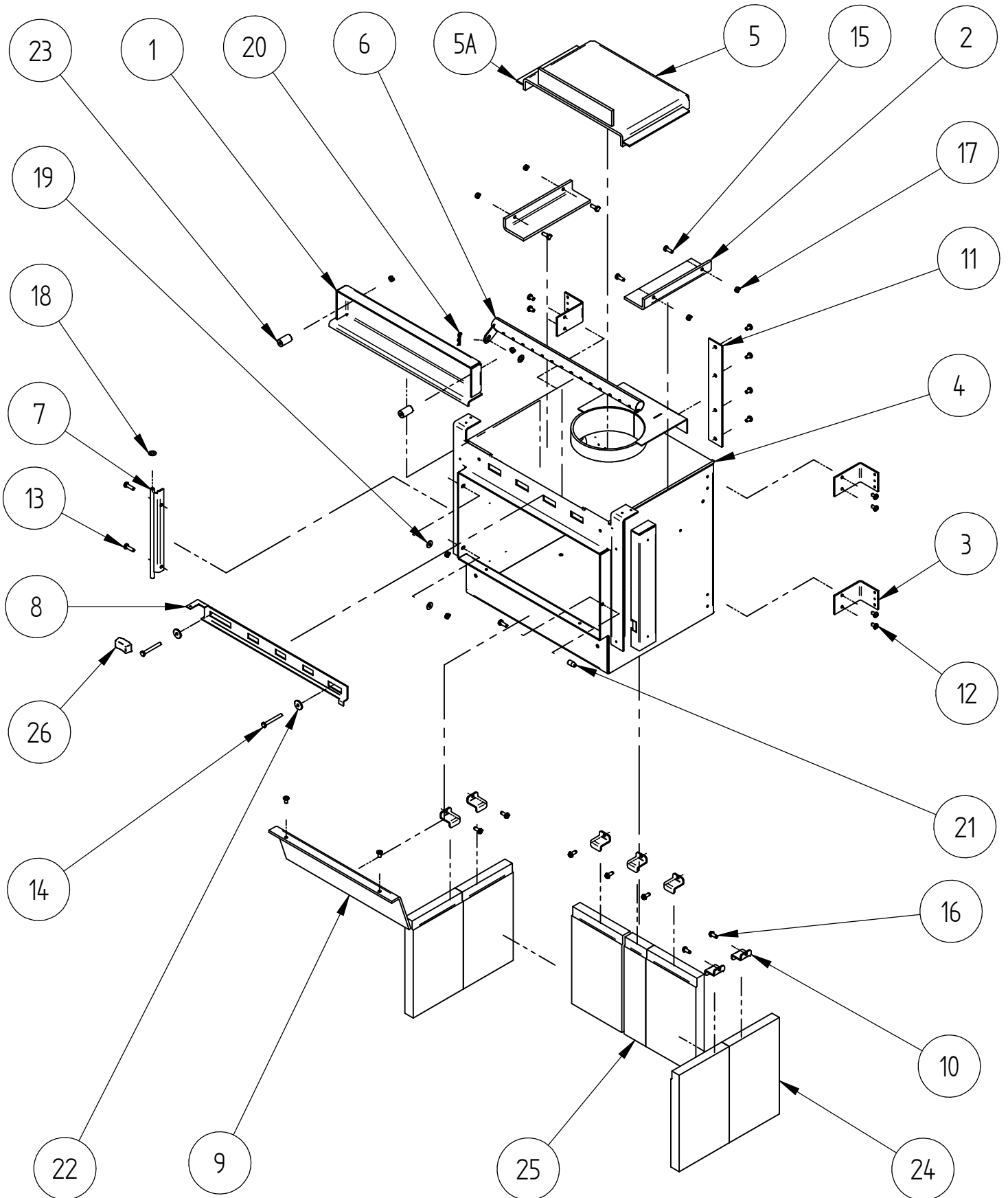


When ordering PLEASE QUOTE PART ID along with Finish Suffix (if applicable)

| PANELS, DOOR AND PEDESTAL | | | | | | | |
|---------------------------|----------|----------|--------|---------|--------|---|-----|
| Item | Part ID | Model(s) | | | | Description | Qty |
| | | MWSHW | 992902 | MAEHWBK | 992903 | | |
| 1 | MAE00003 | -N/A- | -N/A- | E01 | E01 | MAE TOP GRILL | 1 |
| 1A | MWS00003 | V02 | V02 | -N/A- | -N/A- | MWS TOP GRILL | 1 |
| 2 | MAE00006 | -N/A- | -N/A- | E01 | E01 | MAE L/H SIDE PANEL | 1 |
| 2A | MWS00006 | V02 | V02 | -N/A- | -N/A- | MWS SIDE PANEL L/H | 1 |
| 3 | MAE00007 | -N/A- | -N/A- | E01 | E01 | MAE R/H SIDE PANEL | 1 |
| 3A | MWS00007 | V02 | V02 | -N/A- | -N/A- | MWS SIDE PANEL R/H | 1 |
| 4 | MAE00011 | -N/A- | -N/A- | E01 | E01 | MAE ASH HEARTH ASH SHELF | 1 |
| 4A | MWS00011 | V02 | V02 | -N/A- | -N/A- | MWS ASH SHELF | 1 |
| 5 | MAE00016 | V02 | V02 | E01 | E01 | MAE AIR SLIDE COVER | 1 |
| 6 | MIC00012 | - | - | - | - | MIC REAR HEAT SHIELD | 1 |
| 7 | MIC00020 | V02 | V02 | P02 | P02 | MICROS PEDESTAL | 1 |
| 8 | MIC00025 | V02 | V02 | P02 | P02 | MIC BASE HEAT SHIELD | 1 |
| 9 | MIC00038 | - | - | - | - | MIC HEAT SHIELD WRAP | 1 |
| 10 | MIC00201 | V02 | V02 | V02 | V02 | MIC ASH SHELF DEFLECTOR | 1 |
| 11 | MIC00203 | - | - | - | - | MIC PEDESTAL HEAT SHIELD | 2 |
| 12 | MICAC730 | -N/A- | -N/A- | E01 | E01 | MIC FINISHED DOOR ASSEMBLY | 1 |
| 12A | MWSAC730 | V02 | V02 | -N/A- | -N/A- | MWS FINAL DR COMPLETE | 1 |
| 13 | MWS00010 | V02 | V02 | V02 | V02 | MWS SIDE PANEL ANGLE | 2 |
| 14 | 521058 | - | - | - | - | SCREW; M6X25 HEX ZP | 4 |
| 15 | 521075 | - | - | - | - | SCREW; M6X12 HEX ZP | 4 |
| 16 | 521076 | - | - | - | - | SCREW; M6X16 HEX ZP | 2 |
| 17 | 521645 | - | - | - | - | SCREW; S/T 8GX1/2" MUSH FLANGE POZI BLK | 28 |
| 18 | 522117 | - | - | - | - | NUT; HEX STD M6 ZP | 6 |
| 19 | 522611 | - | - | - | - | NUT; RIVNUT THN/SHT M6X13.5 | 4 |
| 20 | 523036 | - | - | - | - | WASHER; FLAT 1/4"X5/8" BLK | 10 |
| 21 | 523103 | - | - | - | - | WASHER; SPRING M6 ZP | 4 |
| 22 | 524002 | - | - | - | - | RIVET; 73 AS 4-3 | 2 |
| 23 | 526008 | - | - | - | - | CLIP; STARLOCK M3 | 2 |
| 24 | 526009 | - | - | - | - | CLIP; STARLOCK M4 | 2 |
| 25 | 587835 | - | - | - | - | BADGE MASPORT HEATING | 1 |
| 26 | 595695 | - | - | - | - | DECAL "BURN ONLY" COMBINED NZ/AUS | 1 |
| 27 | MIC00376 | - | - | - | - | MIC DOOR HANDLE | 1 |
| 28 | MIC00744 | - | - | - | - | MIC HILO BADGE | 1 |

When ordering PLEASE QUOTE PART ID along with Finish Suffix (if applicable)

AIRSLIDE, BAFFLE, BRICKS AND FIREBOX

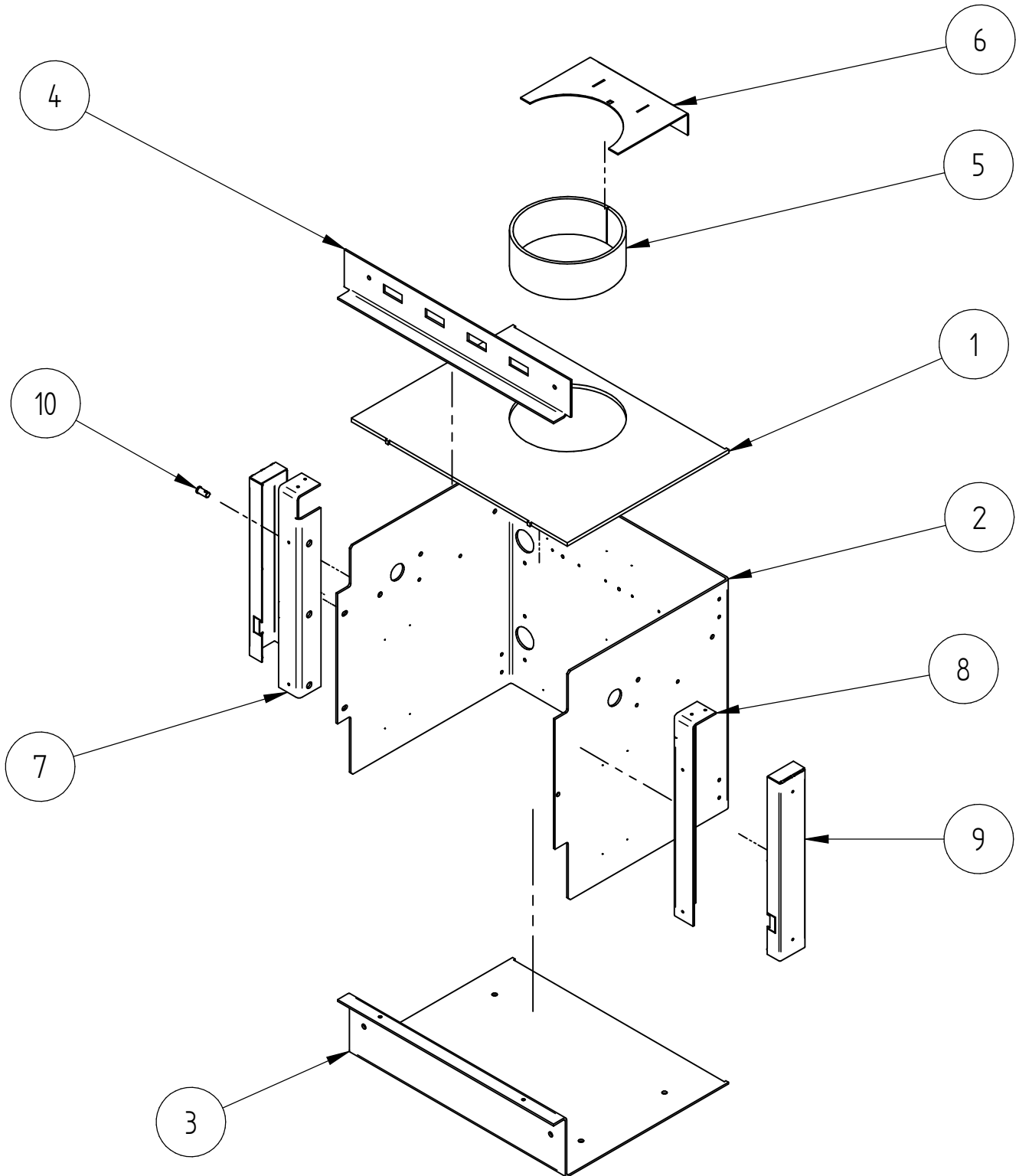


When ordering PLEASE QUOTE PART ID along with Finish Suffix (if applicable)

| AIRSLIDE, BAFFLE, BRICKS AND FIREBOX | | | | | | | |
|--------------------------------------|------------|----------|--------|---------|--------|---|-----|
| Item | Part ID | Model(s) | | | | Description | Qty |
| | | MWSHW | 992902 | MAEHWBK | 992903 | | |
| 1 | MIC00102 | - | - | - | - | MIC AIR DEFLECTOR | 1 |
| 2 | MIC00116 | - | - | - | - | MIC BAFFLE SUPPORTS | 2 |
| 3 | MIC00130 | - | - | - | - | MIC REAR BODY MOUNT BRKT | 4 |
| 4 | MICHWAC004 | -N/A.- | - | -N/A.- | - | MICROS HW FIRE BOX ASSY | 1 |
| 4A | MICAC004 | - | -N/A.- | - | -N/A.- | MIC FIREBOX COMPLETE | 1 |
| 5 | MICAC109 | - | - | - | - | MIC BAFFLE SUB ASSEMBLY | 1 |
| 5A | MIC00348 | - | -N/A.- | - | -N/A.- | MIC BAFFLE BLANKET | 1 |
| 6 | MIC00138 | - | - | - | - | MIC AIR BAR ASSEMBLY | 1 |
| 7 | MICAC190 | - | - | - | - | MIC DOOR HINGE ASSEMBLY | 1 |
| 8 | MICHW036 | - | - | - | - | MICHW AIRSLIDE | 1 |
| 9 | MICHW126 | - | - | - | - | MICHW LOWER PLATE | 1 |
| 10 | HBA00118 | - | - | - | - | HBA BRICK RETAINER | 7 |
| 11 | MIC00135 | - | - | - | - | MIC WET BACK COVER PLATE | 1 |
| 12 | 521046 | - | - | - | - | SCREW; M6X10 PAN POZI ZP | 14 |
| 13 | 521054 | - | - | - | - | SCREW; M6X20 HEX ZP | 2 |
| 14 | 521061 | - | - | - | - | SCREW; M6X50 HEX ZP | 2 |
| 15 | 521076 | - | - | - | - | SCREW; M6X16 HEX ZP | 5 |
| 16 | 521632 | - | - | - | - | SCREW; S/T M6X15 HEX FLANGE NIC TAPTITE | 7 |
| 17 | 522117 | - | - | - | - | NUT; HEX STD M6 ZP | 8 |
| 18 | 523018 | - | - | - | - | WASHER; FLAT 5/16"X5/8" BLK | 2 |
| 19 | 523036 | - | - | - | - | WASHER; FLAT 1/4"X5/8" BLK | 2 |
| 20 | 526101 | - | - | - | - | CLIP; R-CLIP 1.8 DIA ST | 1 |
| 21 | MIC00079 | - | - | - | - | LOGAIRE CATCH PIN | 1 |
| 22 | MIC00083 | - | - | - | - | LOGAIRE METRO AIR SLIDE SPACER | 2 |
| 23 | MIC00129 | - | - | - | - | MIC AIR DEFLECTOR BUSH | 2 |
| 24 | MIC00354 | - | - | - | - | MIC BRICK | 6 |
| 25 | MIC00355 | - | - | - | - | MIC BRICK HALF | 1 |
| 26 | MIC00375 | - | - | - | - | MIC AIR SLIDE HANDLE | 1 |

*Optional Sale Kit

FIREBOX DETAILS

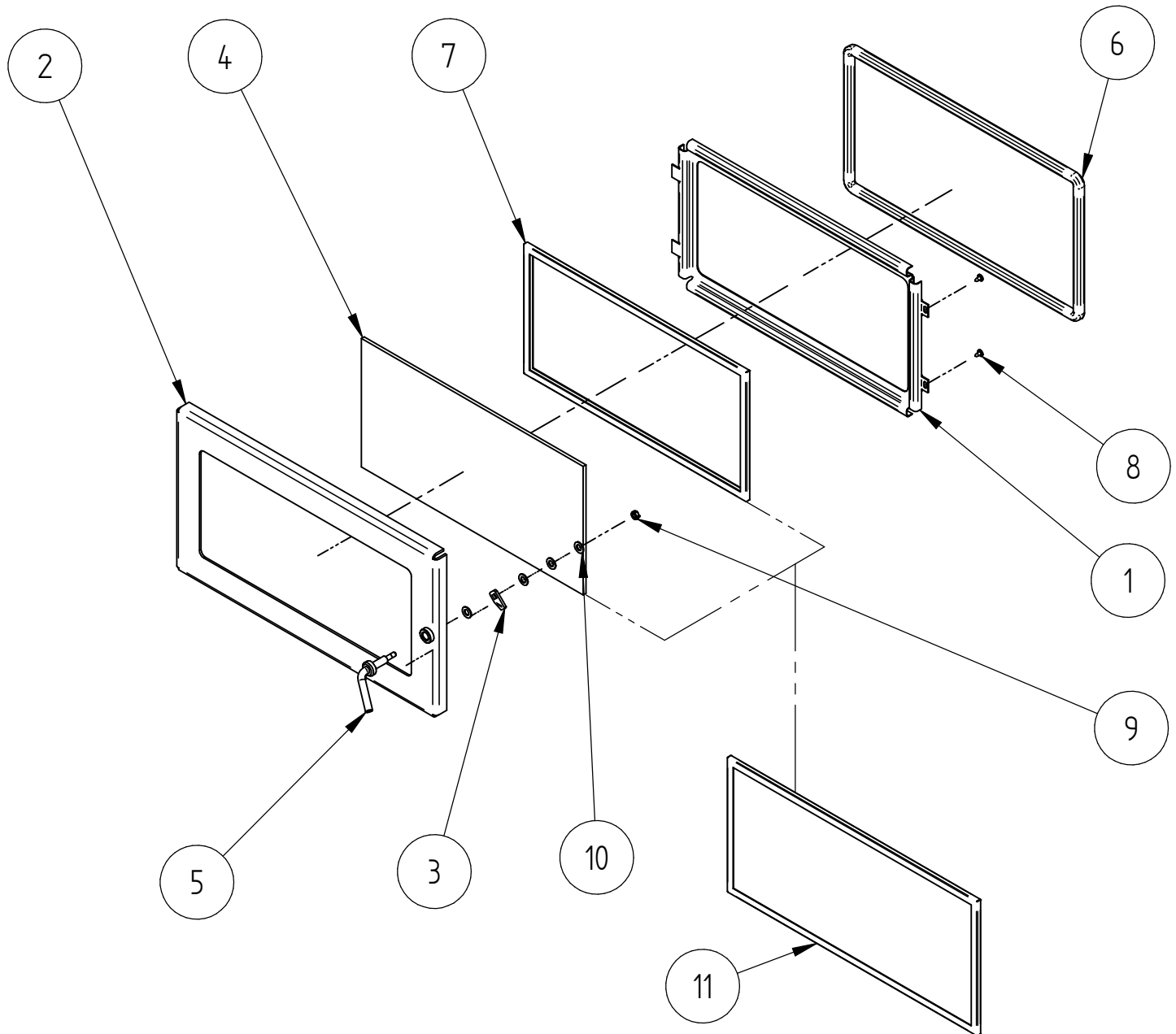


When ordering PLEASE QUOTE PART ID along with Finish Suffix (if applicable)

| FIREBOX DETAILS: MICHWAC004 | | | | | | | |
|-----------------------------|----------|----------|--------|---------|--------|-------------------------------|-----|
| Item | Part ID | Model(s) | | | | Description | Qty |
| | | MWSHW | 992902 | MAEHWBK | 992903 | | |
| 1 | MIC00103 | - | - | - | - | MIC FIRE BOX TOP | 1 |
| 2 | MIC00106 | - | - | - | - | MICROS F/B WRAP | 1 |
| 3 | MICHW107 | - | - | - | - | MICHW FIREBOX BOTTOM | 1 |
| 4 | MIC00108 | - | - | - | - | MIC AIR INLET | 1 |
| 5 | MIC00120 | - | - | - | - | MIC SPIGOT | 1 |
| 6 | MIC00121 | - | - | - | - | MIC SPIGOTT PLATE | 1 |
| 7 | MIC00183 | - | - | - | - | MIC L/H DOOR RIDDLE STIFFENER | 1 |
| 8 | MIC00184 | - | - | - | - | MIC R/H DOOR RIDDLE STIFFENER | 1 |
| 9 | MIR00123 | - | - | - | - | MIR SEC AIR CHANNEL | 3 |
| 10 | MIC00137 | - | - | - | - | MIC AIRBAR PIN | 1 |

When ordering PLEASE QUOTE PART ID along with Finish Suffix (if applicable)

DOOR ASSEMBLY



When ordering PLEASE QUOTE PART ID along with Finish Suffix (if applicable)

| DOOR ASSEMBLY | | | | | | | |
|---------------|----------|-------------|--------|-------------|--------|---|-----|
| Item | Part ID | Model(s) | | | | Description | Qty |
| | | MWSHW | 992902 | MAEHWBK | 992903 | | |
| | | MWSAC730V02 | | MICAC730E01 | | | |
| 1 | MIC00034 | - | - | - | - | MIC GLASS RETAINER | 1 |
| 2 | MICAC030 | -N/A.- | -N/A.- | E01 | E01 | MIC DOOR FRAME COMPLETE | 1 |
| 2 | MWSAC030 | V02 | V02 | -N/A.- | -N/A.- | MWS DOOR FRAME COMPLETE | |
| 3 | MIC00133 | - | - | - | - | MIC DOOR LATCH PLATE | 1 |
| 4 | MIC00204 | - | - | - | - | MIC GLASS | 1 |
| 5 | MIC00373 | - | - | - | - | DOOR SPINDLE | 1 |
| 6 | C13MMDR | - | - | - | - | DOOR ROPE | 1 |
| 7 | C25MMLT | - | - | - | - | LADDER TAPE 25x3x50m ROLL (MTR) | 1 |
| 8 | 521627 | - | - | - | - | SCREW; S/T 8GX3/8" MUSH FLANGE POZI BLK | 2 |
| 9 | 522117 | - | - | - | - | NUT; HEX STD M6 ZP | 1 |
| 10 | 523018 | - | - | - | - | WASHER; FLAT 5/16"X5/8" BLK | 4 |
| 11* | MICAC204 | - | - | - | - | DOOR GLASS KIT | 1 |

*Optional Sale Kit

NOT ILLUSTRATED

| Item | Part ID | Model(s) | | | | Descriptions | Qty |
|------|------------|----------|--------|---------|--------|--------------------------------|-----|
| | | MWSHW | 992902 | MAEHWBK | 992903 | | |
| 1 | MAEHWBRICK | -N/A- | - | -N/A- | -N/A- | INSTRUCTION - BRICK LAYOUT | 1 |
| 2 | MAEBRICK | -N/A- | -N/A- | -N/A- | - | | 1 |
| 3 | 593286 | -N/A- | - | -N/A- | - | OWNER MANUAL WOODFIRES | 1 |
| 4 | 593287 | -N/A- | - | -N/A- | - | INSTALL MANUAL WOODFIRES | 1 |
| 5 | MICHWM738 | -N/A- | - | -N/A- | - | MIC HW INSTALLATION DATA SHEET | 1 |
| 6 | MICHW738 | - | -N/A- | - | -N/A- | MIC INSTALLATION DATA SHEET | 1 |
| 7 | MIC00739 | - | -N/A- | - | -N/A- | LOGAIRE OPERATION INSTRUCTION | 1 |

SURFACE FINISH CODES FOR PANELS

| VITREOUS ENAMEL | | VHT PAINT(Very High Temp) | | | POWDER COAT | |
|-----------------|-------------|---------------------------|----------|------------------------|-------------|----------------|
| E01 | MATT BLACK | V02 | P-000022 | METALLIC BLACK | P02 | MATT BLACK |
| E02 | GLOSS BLACK | V03 | P-000043 | CHARCOAL | P03 | CHARCOAL |
| E03 | CHARCOAL | V04 | P-000081 | TITANIUM | P05 | SATIN BLACK |
| | | V05 | P-000051 | CHARCOAL (DAM MET BLK) | P09 | METTALIC BLACK |
| | | V06 | P-000052 | METALLIC BLACK ZINC | | |

LESS FREQUENTLY OR OLD SURFACE FINISH CODES FOR PANELS

| VITREOUS ENAMEL | | VHT PAINT(Very High Temp) | | | POWDER COAT | |
|-----------------|---------|---------------------------|--|-----------------------|-------------|----------------|
| E04 | JASMINE | V01 | | SATIN BLACK HIGH TEMP | P01 | BLUE/BLACK |
| | | | | | P04 | GLOSS CHARCOAL |
| | | | | | P07 | FLAT BLACK |

When ordering PLEASE QUOTE PART ID along with Finish Suffix (if applicable)